

Specification

COM Express Compatibility	COM Express® Type 6 Basic
Gigabit Ethernet	2 x 10/100/1000 Ethernet Ports
USB 3.0	4 x USB 3.0 Ports
USB 2.0	2 x USB 2.0 Ports
RS-232	2 x RS-232 9pin, 2 x RS-232 3pin
RS-422/RS-485	2 x RS-422/RS-485
GPIO	4 x DI & 4 x DO
DP/ HDMI/DVI	4 x DisplayPort/ HDMI/DVI(Max)
VGA	1 x VGA
LVDS	1 x Dual Channel 18/24-bit LVDS
HD Audio	1 x Audio (Mic In & Line Out)
SATA	1 x SATA 3.0 & SATA power
M.2	1 x M.2 Key B (SATA only 2242)
Mini-PCIe	2 x Full size Mini-PCIe slots (Mini-PCIe or mSATA and USB interface)
3G/4G/5G	1x Micro Sim Card (from Mini-PCIe1)
Power Control & LED	Reference manual
Extended I/O	80pin, include 4xPCIe、SMBUS、IIC、12V、5V Standby、3V3、LPC、S3#、CB_Reset#、PCIe wake
Input Power	Wide Range DC in+12~+36V
Dimensions	200mm x125mm
Operating Temperature	0 °C ~+55 °C Industrial:-40 °C ~+ 85 °C 5 ~ 95%, non-condensing

COM Express®

FEATURES

COM Express type6 CPU+MXM GPU Module System

Combines High-End GPUs with Latest Generation x86 Processors in a ruggedized small form factor

GPUs can be targeted for 4 independent display outputs OR for a headless GPU processing system utilizing CUDA cores

System uses a building block approach: Mix and match Intel® CPUs with NVIDIA® GPUs

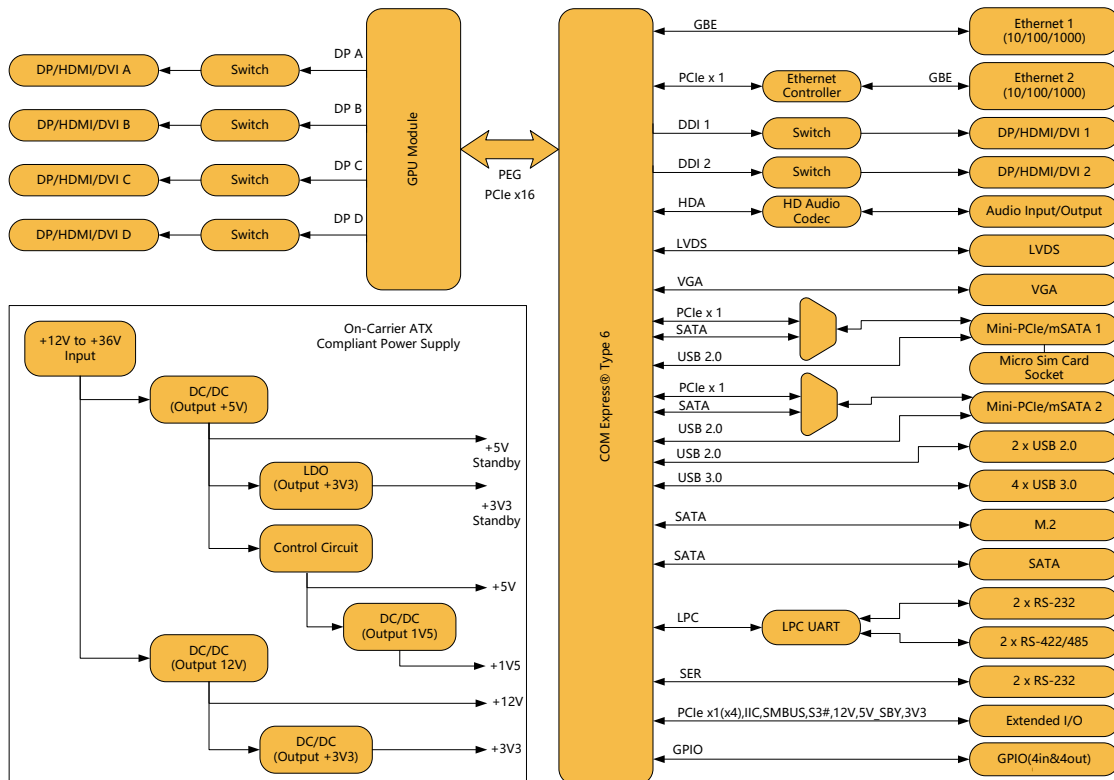
COM Express type6 CPU

8th Generation Intel® Core™ processor with up to 6 Cores

Up to 32 GByte dual channel DDR4 memory

*12~36V wide range DC input
Design of all interface pins*

Block Diagram



Order Information

Part Number ^[1]	CPU	GPU ^[2]
CT622G80	i7-6822EQ 32GB DDR4	GTX 1080
CT622G50	i7-6822EQ 32GB DDR4	GTX 1050 TI
CT620G80	i7-6820EQ 32GB DDR4	GTX 1080
CT620G50	i7-6820EQ 32GB DDR4	GTX 1050 TI
CT615G80	E3-1515M V5 32GB DDR4	GTX 1080
CT615G50	E3-1515M V5 32GB DDR4	GTX 1050 TI
CT605G80	E3-1505L V5 32GB DDR4	GTX 1080
CT605G50	E3-1505L V5 32GB DDR4	GTX 1050 TI
CT676G80	E-2176M 32GB DDR4	GTX 1080
CT676G50	E-2176M 32GB DDR4	GTX 1050 TI
CT650G80	i7-8850H 32GB DDR4	GTX 1080
CT650G50	i7-8850H 32GB DDR4	GTX 1050 TI
CKGC6001 ^[2]	"Full" Cable kit for CT6G(CPU+GPU): 4xHDMI cable,2xUSB3.0 cable,1xUSB2.0 Cable,1xRS232 Cable,2xLan Cable,1xAudio Cable,1x Sata&Sata Power Cable	
CKGC6002 ^[3]	"Full" Cable kit for CT6G(CPU): 2xHDMI cable,2xUSB3.0 cable,1xUSB2.0 Cable,1xRS232 Cable,2xLan Cable,1xAudio Cable,1xVGA Cable,1x SATA & SATA Power Cable	

[1] For more order information about system without MXM GPU model ,please contact us

[2] Industrial Temperature for GPU GTX 1080 is not supported, for GPU GTX 1050TI is optional.

[3] DP cable is optional